



fb.com/lookuga





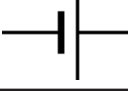



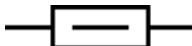
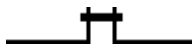




plus.google.com/+lookuga


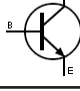
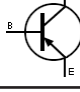
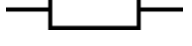
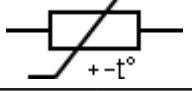
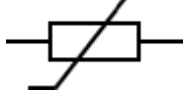

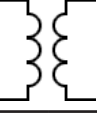


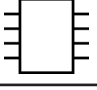
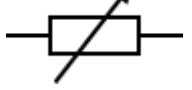
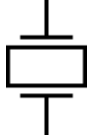


twitter.com/lookuga



youtube.com/user/lookuga

Component	Designator	Symbol
Bridge rectifier	BR	
Capacitor	C / CN (Capacitor network)	
Battery	BT	
Diode (LED / Zener / Photodiode)	D	
Display	DS	
Fuse	F	
Ferrite bead	FB / FEB	
Link (Jumper)	JP	
Relay / Contactor	K	
Inductor / Coil / Ferrite Bead	L	
Loudspeaker / Buzzer	LS	
Motor	M	

Component	Designator	Symbol
Microphone	MK / MIC	
Transistor	Q	NPN 
		PNP 
Resistor	R / RN (Resistor Network)	
Thermistor	RT	
Varistor	RV	
Switch/Button	S	
Transformer	T	
Thermocouple	TC	
Test point	TP	
Integrated Circuit	U	
Variable resistor (potentiometer or rheostat)	VR	
Crystal / Oscillator	Y	
Zener Diode	Z	